

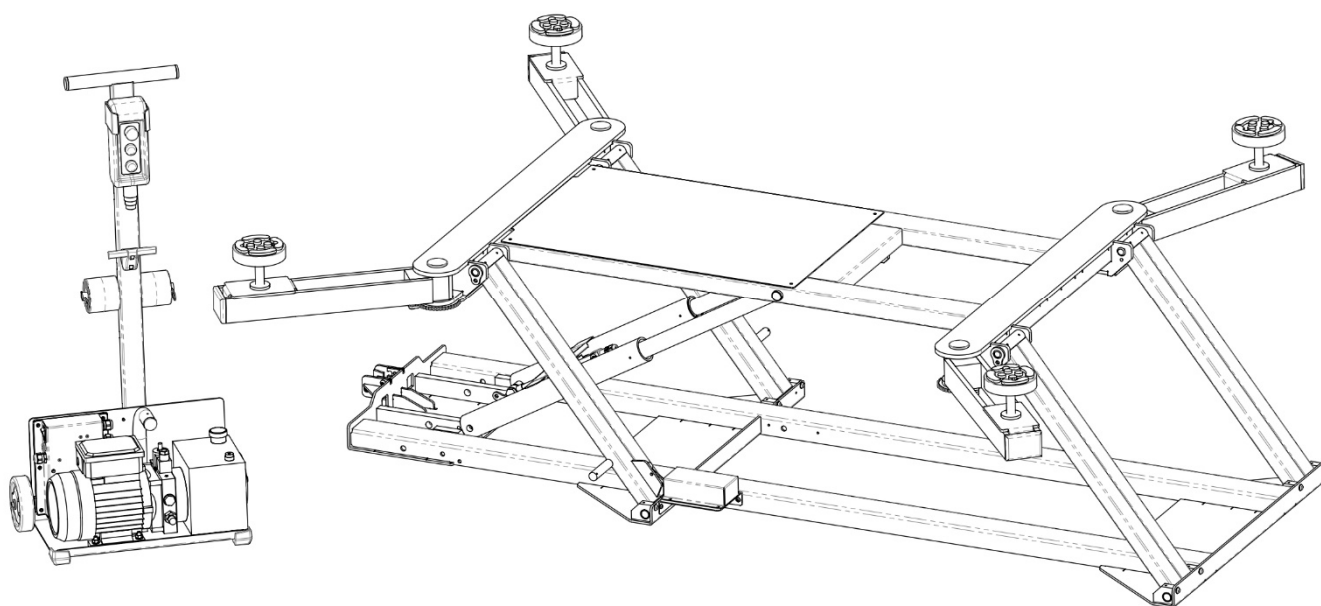


User manual

EN



# ERGO LIFT 650



**Operation and maintenance manual**

**Safety and functional check**

In order to guarantee that your ERGO LIFT 650 lift has been manufactured in strict compliance with safety standards, here are the results of the tests that your product has been subjected to before shipment (please always keep this manual provided when you purchased the equipment).

**The following elements are present:**

- Technical notice board on the back of the hydraulic power station.
- Serial numbers on the technical notice board and on the lift.
- Instructions for use
- Maximum authorised load capacity of 2,000 kg.
- Raise "↑" and lower "↓" on the cable control.
- CE identification on the lift.

**Controlled operation and safety:**

Pressure relief valve set at 140 bar max.

**Verify:**

- No-load function test over a complete cycle
- Operation of the emergency stop button
- Controls automatically return to initial position
- No damage to the cylinders, the power supply cable, and the wired remote control cable
- Tight fastening of all bearing screws
- Condition of the hydraulic hose (tightness and watertightness of all connections)
- Operation with the maximum load over a complete cycle
- Checking the function of the safety device in the event of a hydraulic hose rupture under load.

**Serial No****Date:****Name or controller number:****EC Certificate of Conformity**

You can download the certificate of conformity from our website: [www.gys.fr](http://www.gys.fr).

heading: PRODUCT\_CARROSSERIE\_CARROSSERIE\_LEVAGE

Thank you for choosing GYS. In order to obtain maximum satisfaction from your ERGO LIFT 650 and for your safety, please read these operating instructions carefully before first use and keep them in a safe place for future reference.

## **BACKGROUND INFORMATION**

These operating instructions contain important information for installation in order to ensure proper commissioning and operational safety of the ERGO LIFT. Complying with the documentation reduces risks and extends the life of the product. This manual contains a form to certify regular security checks. Use the "Regular Safety Inspection" form and the "Maintenance Log" to archive the inspections (It is advisable to make a copy of the forms before filling them in for the first time).

### **Installation and control:**

Safety work and safety checks are reserved exclusively for specially trained persons. These persons are referred to in this documentation as experts and/or authorised persons.

## **LIMITATIONS OF LIABILITY**

The ERGO LIFT is a mobile lift designed in compliance with standards. All data and advice in this manual have been collected in accordance with its applicable standards and regulations and our extensive knowledge and experience.

**The manufacturer cannot be held responsible in case of material and physical damage that could lead to death by:**



- **Non-observance of the instructions for use**
- **Improper or dangerous use**
- **Employment of unskilled persons**
- **Unauthorized processing on the ERGO LIFT**
- **Insufficient maintenance**

## **INTENDED INTENDED USE**

The ERGO LIFT is designed for the repair of passenger vehicles. It allows vehicles to be lifted safely. Maximum authorised load capacity of 2,000 kg.

Intended use of the ERGO LIFT includes familiarisation with these operating instructions in their entirety and observance of all the instructions contained herein, with particular reference to the safety instructions. The ERGO LIFT must be used and handled in accordance with these operating instructions.

A safety perimeter must be defined in which no one must be present during the lifting operation (minimum 2m around the vehicle to allow escape if necessary).

The lifting of persons or other objects is not allowed. No one must be inside the vehicle to be lifted. It is forbidden for persons to climb onto the load or the load support device when these are in the raised position.

The ERGO LIFT must be used inside a work room and protected from bad weather (IP 20, wind, rain and negative temperature).

The operating temperature range is between 5°C and 40°C maximum. In case of prolonged storage in a place where the temperature is below 0°C, allow at least 12 hours before use by storing it in the workplace.

Do not use in excessively humid conditions. If water is splashed directly onto the lift, use a clean cloth to wipe it off.

This equipment is delivered with a 16 A CEE7/7 type plug and must only be used on a single-phase 230 V (50Hz) electrical installation.

Never lift loads on sloping ground ( $>3^\circ$ ). The floor must be flat and strong enough to prevent the ERGO LIFT from sinking under the weight of the load (35kg/cm<sup>2</sup>). Under no circumstances should the ERGO Lift be placed on an inspection hatch on the floor.

It is forbidden to use the ERGO LIFT on a boat/vessel (stability problem).

Thoroughly clean the supporting surface of the vehicle and the rubber pads of the ERGO LIFT before each use.

Remove all grease and oil stains that could cause the vehicle to slip.

**Work underneath the vehicle is not permitted.**

Vehicles should only be lifted at the lifting points recommended by the car manufacturers. Make sure that the ERGO LIFT does not come into contact with areas close to the airbag activation sensors during and after the lift.

Do not place the rubber pads on an area with plastic trim.  
Take care of the electrical cables as well as the hydraulic hose.

It is advisable to avoid driving on the hose connecting the lift to the hydraulic unit. When this is not possible, parking on it should be avoided.

In the event of a violent impact on the load-bearing and/or structural elements of the ERGO LIFT, it is imperative to take the product out of service and contact your dealer or the manufacturer in order to assess the damage before putting it back into service.

In case of doubt about the strength of the vehicle structure (presence of rust) - Do not lift the vehicle.

Enforce safety and risk prevention standards in the country's workplaces (the country's labour code). In addition, this also includes the obligation to carry out all inspection and maintenance work at regular intervals.

In the event of improper use of the lift, the operational safety of the ERGO LIFT is not guaranteed.

Damage to persons and property, also on vehicles, caused by improper use of the device is in no way the responsibility of the manufacturer, but of the operator handling the ERGO LIFT.

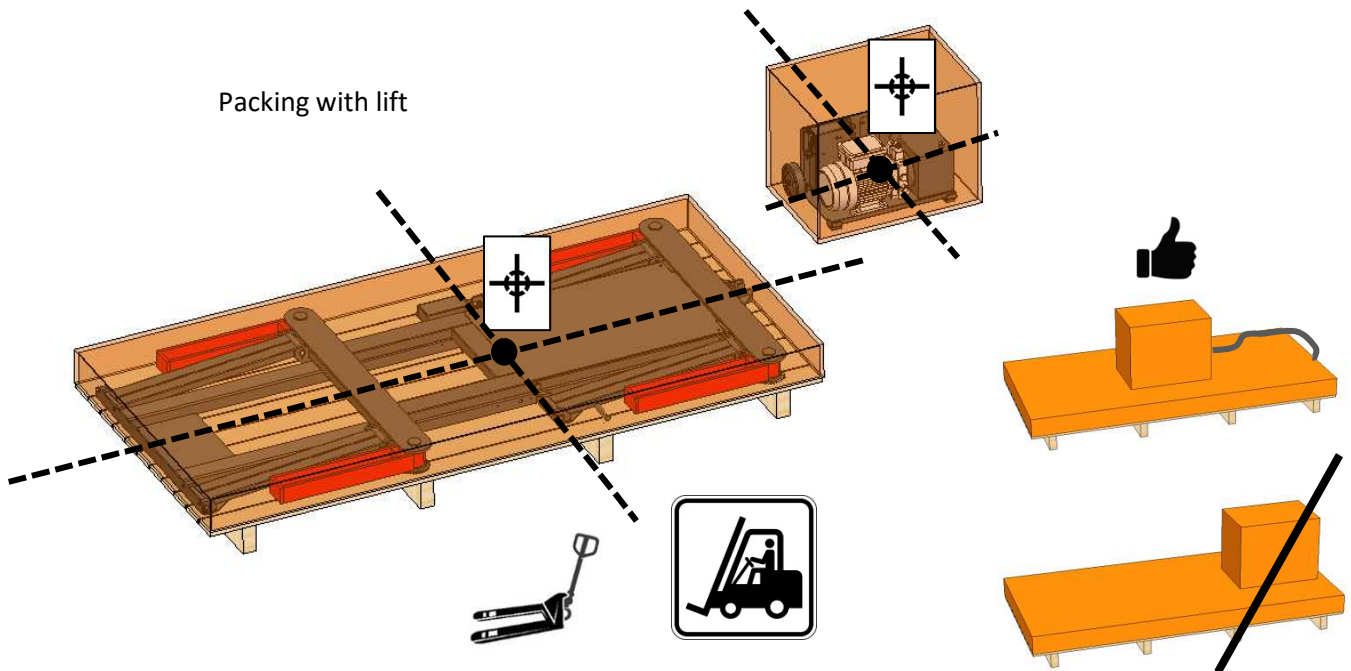
ERGO LIFT must not be used in a potentially explosive atmosphere and it is not recommended to work next to a heat source. The ERGO LIFT has not been designed for use in a spray booth.

It is forbidden to use spare parts other than original parts certified by the manufacturer.  
Also ensure that the wired control cannot be tampered with by unauthorised persons while you are working around the vehicle.

**PACKAGING AND UNLOADING**

The ERGO LIFT user and maintenance manual is included in the packaging of the hydraulic unit. On delivery, check for external transport damage. In case of visible damage, leave the goods and packaging as they are. Do not use the goods and contact your dealer directly. Failing this, a reservation must be made to the carrier. Under no circumstances can GYS be held responsible.

Unloading can be done with a forklift or hand pallet truck as soon as the pallet is placed on the floor. Wear gloves and safety shoes. Take into account the centre of gravity noted on the packaging when picking up and moving the pallet.



1- Determine an area with sufficient space and good lighting.

2- Unpack and place the hydraulic power unit on the ground, aligning the beam so that it is not folded on itself and/or twisted.

Retrieve the accessories (rubber pads, drawbar accessories, wheels and pins).



3- Remove the cardboard cover on the lift and carry out a visual inspection to check that nothing is damaged and that there are no visible oil leaks at the connections.

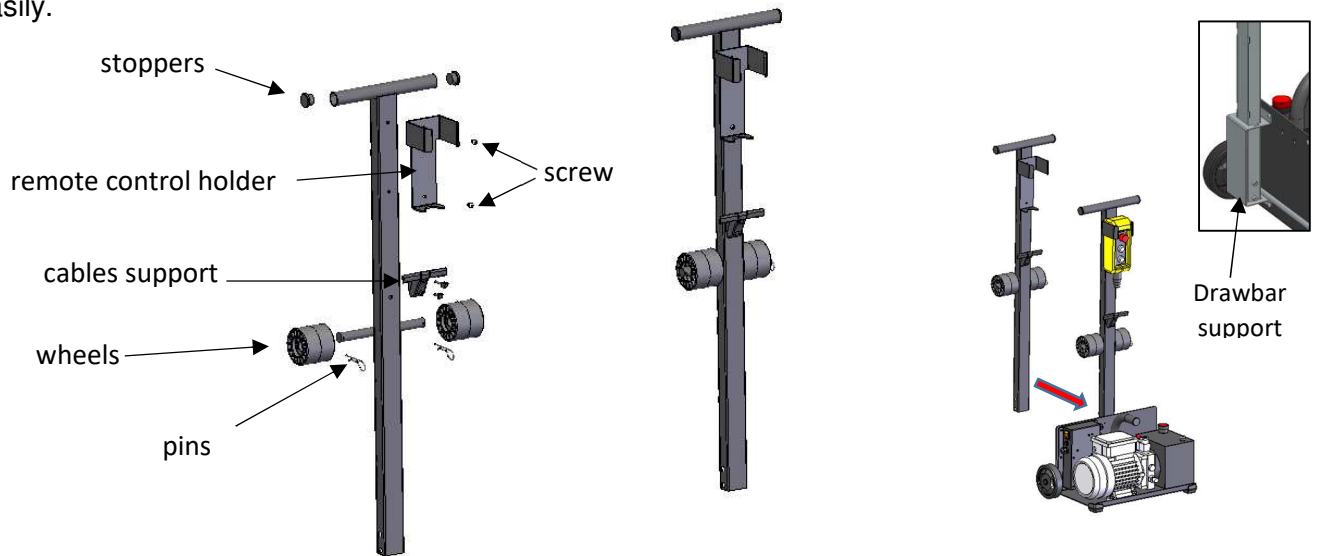
**\*\*\*There may be "traces of oil" prior to first use that are related to the manufacturing process. Wipe with a clean, dry cloth if necessary \*\*\***

4- Connect the hydraulic group to the mains and press the "ON" button on the side of the hydraulic group. The button lights up to indicate that the hydraulic power unit is energised.

5- Press the up button or " ↑ " on the remote control until the lift reaches the very top (no need to top up the oil, the unit is ready for use). A double beep will indicate that the maximum position has been reached. The

motor should stop automatically and it should no longer be possible to lift. If this is not the case, please refer to ANOMALIES, CAUSES, REMEDIES on page 14.

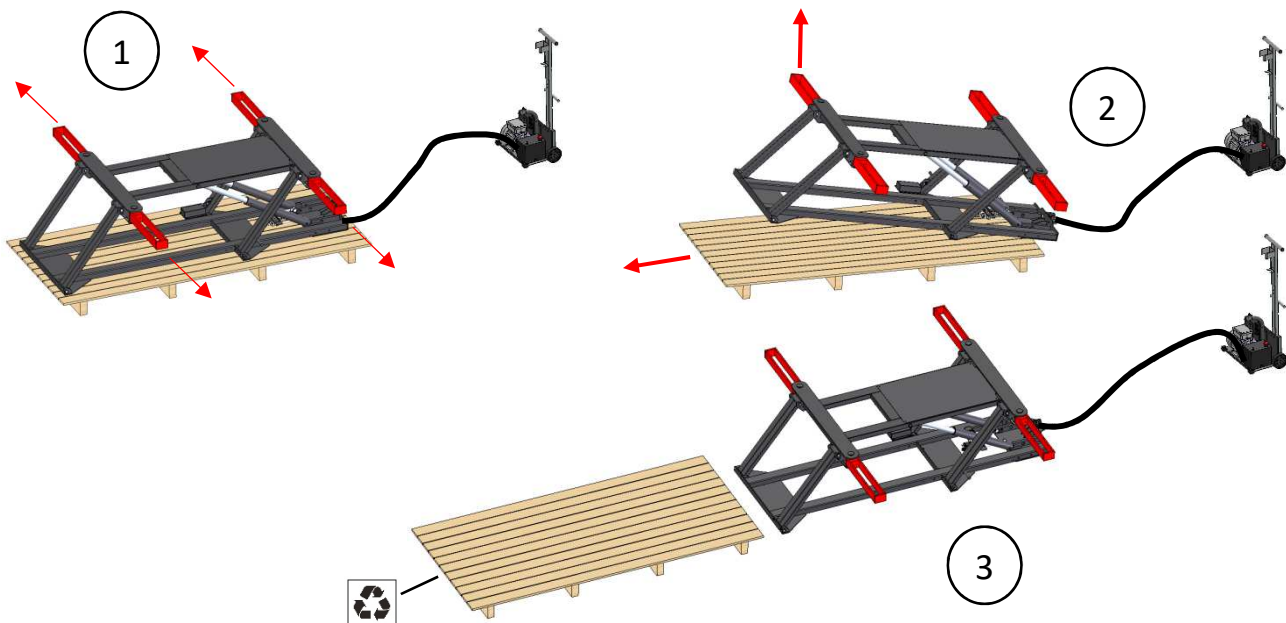
6- Retrieve and assemble the manoeuvring drawbar and attach it to the hydraulic unit to be able to move it more easily.



7- Remove the 4 screws from the lift that fixes it to the pallet.

8- With the help of a strap and a firmly attached hoist (weight to be lifted 130kg max.) lift the table by the lightest side of the lift (front of the lift) then remove the pallet under the table. Be careful not to injure yourself and don't hesitate to be in a group to carry out the manoeuvre in complete safety (3 people recommended). Never get under the hoist or put yourself in a dangerous situation).

If you do not have a hoist, you can remove the lift from the pallet manually. Position the 4 arms of the table to have as many holds as possible as shown in the picture below. Lift the lighter side first and gradually remove the pallet from underneath.



Packages should not be placed in a bin but in a recycling bin .

**INDIVIDUAL PROTECTION**

The operator must be equipped in accordance with the occupational risk prevention standards applicable in his/her country and must adopt all necessary measures to maintain safety at his/her workstation. During manoeuvres, the operator must ensure his own safety and that of the people and objects around him. The operator must take into consideration all the recommendations quoted in this manual.

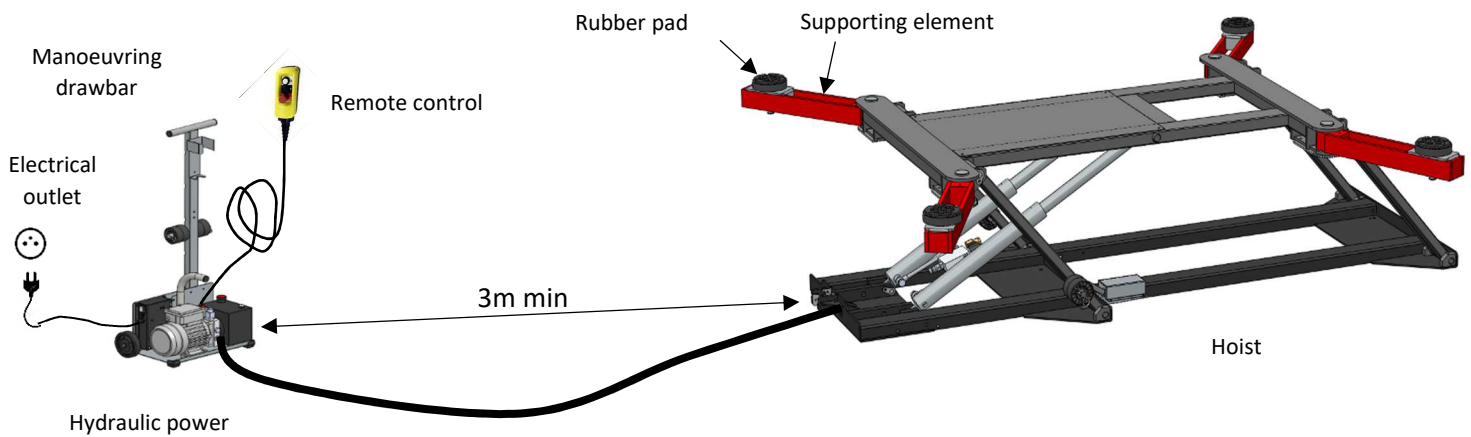


**Hydraulic fluid is dangerous if splashed in the eyes or if it comes into contact with blood. In this case, contact your doctor immediately. Never reach over your hand to check for a hydraulic leak: risk of cut and contamination in the bloodstream that could lead to death.**

**START UP**


Make sure you have the necessary protection: safety shoes and gloves.

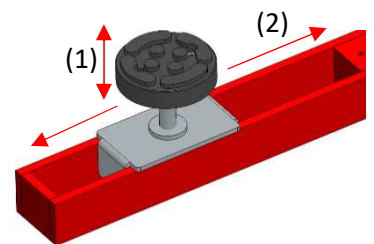
**Step 1:** Place the ERGO LIFT on the floor and position the hydraulic unit 3 metres from the lift, making sure that the beam is not twisted and bent.



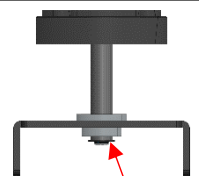
**Step 2:** Connect the hydraulic unit to an electrical outlet and set the button to "ON".

**Step 3:** Place the 4 runners on the load-bearing elements.

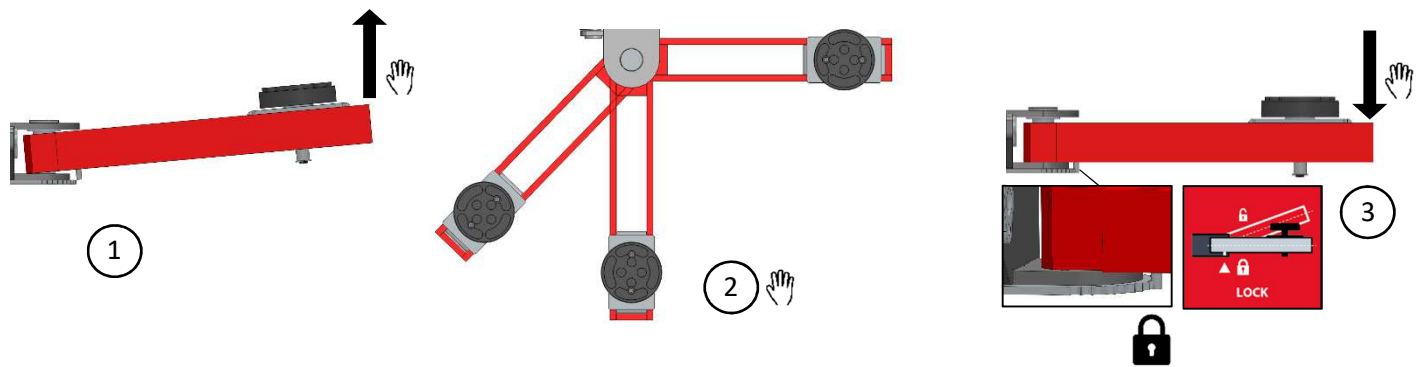
It is possible to adjust the runners in height (1) and all along the arm (2).



**Each skate is equipped with a solidly attached mechanical stop - never use a skate without a stop.**



**Step 4:** It is possible to move the supporting elements (= arms) of the lift at an angle. To do this, lift the end of the arm in order to release the movement, position it as desired and release it. After each repositioning, check that the arm is securely in place and locked into a safety catch by making a left-to-right movement. Never perform this operation with your foot. Always make this adjustment with your hand to carry out the necessary checks of the correct positioning of each load-bearing element.



**Step 5: Using the remote control:**



Press the up button or "↑" to raise the lift. As long as the button is held down, the lift will rise until a double beep sounds (end position reached by the sensor). Automatically when the button is released, the lift stops.

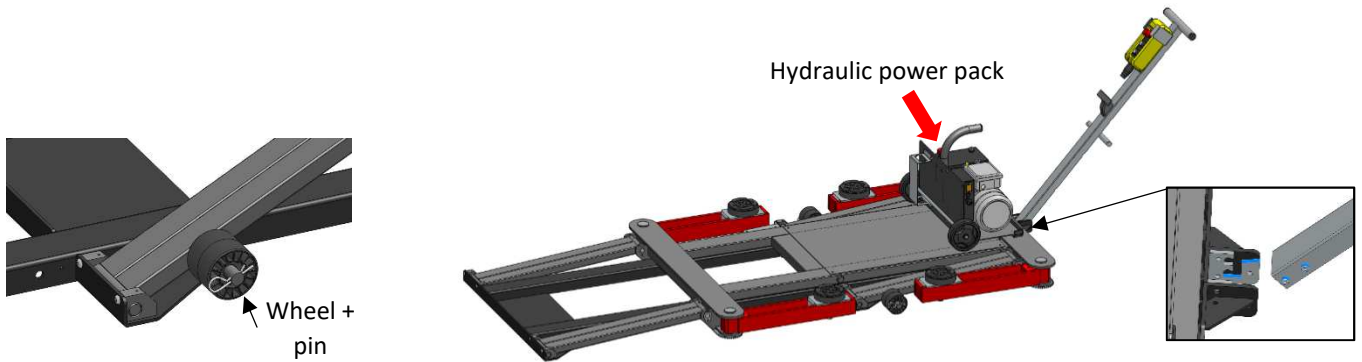
Press the down button or "↓" to lower the lift. A beep for 2 seconds preceded by the descent of the table will be heard each time the button is pressed and an audible signal will be emitted throughout the descent to warn people around the manoeuvre. Automatically when the button is released, the lift stops.

In case of an emergency, it is possible to stop the ascent and descent of the lift by pressing the red emergency stop button. To disengage it, pull the button and at the same time make a quarter turn.

**Step 6: Moving the lift**

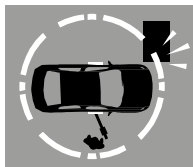
- a- The lift must be raised about 15 centimetres from the ground.
- b- Insert the 2 wheels and the safety pins.
- c- Lower the lift to the floor.
- d- Fold the 4 arms towards the inside of the lift.
- e- Move the group close to the lift and place it on the lift as shown in the figure below.
- f- Insert the operating tiller at the level of the slot on the lift.
- g- Press and push lightly on the tiller to move the lift wherever you want on level ground with no slope (<math><3^\circ</math>).



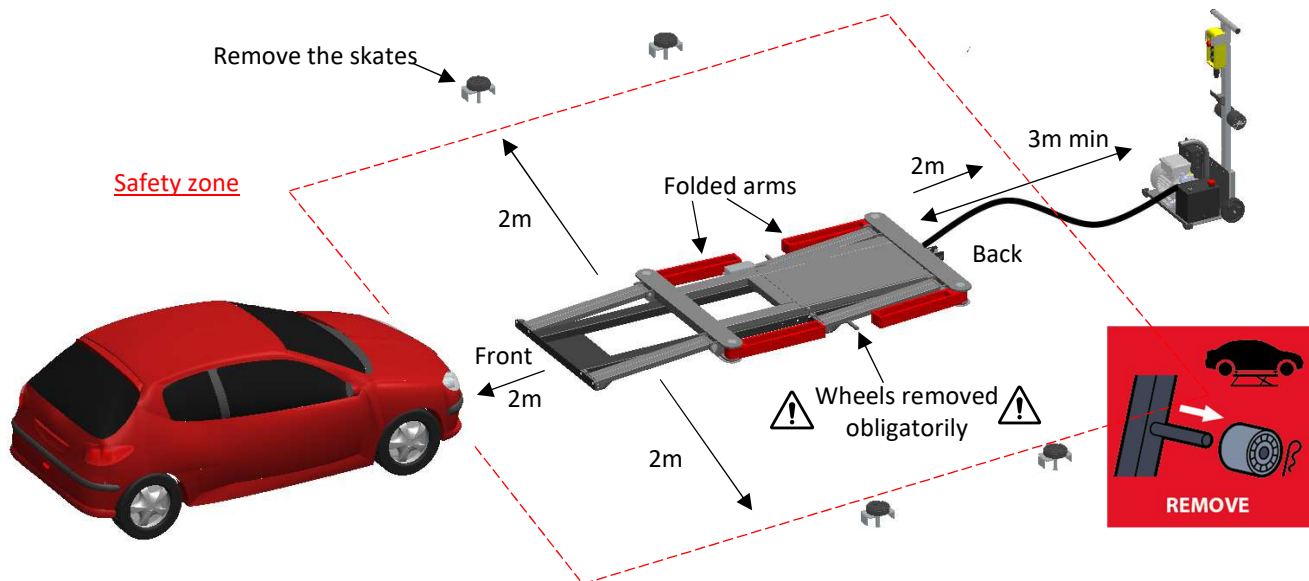


Once the area has been determined, place the lift and carry out the reverse manoeuvre without forgetting to remove the 2 wheels and the pins and store them on the support at the level of the manoeuvring tiller.

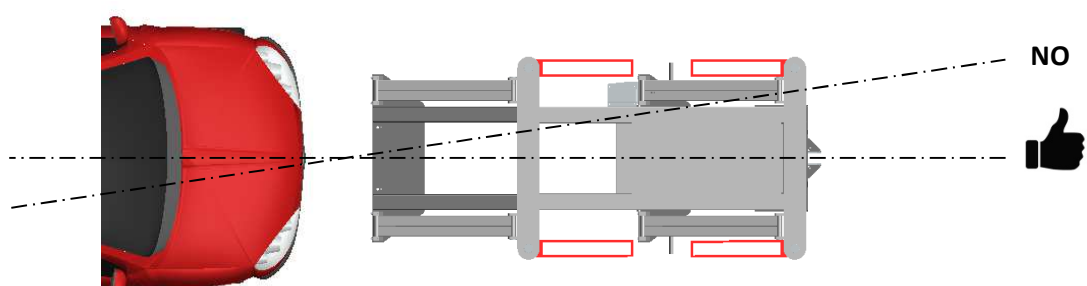
**OPERATING INSTRUCTIONS**



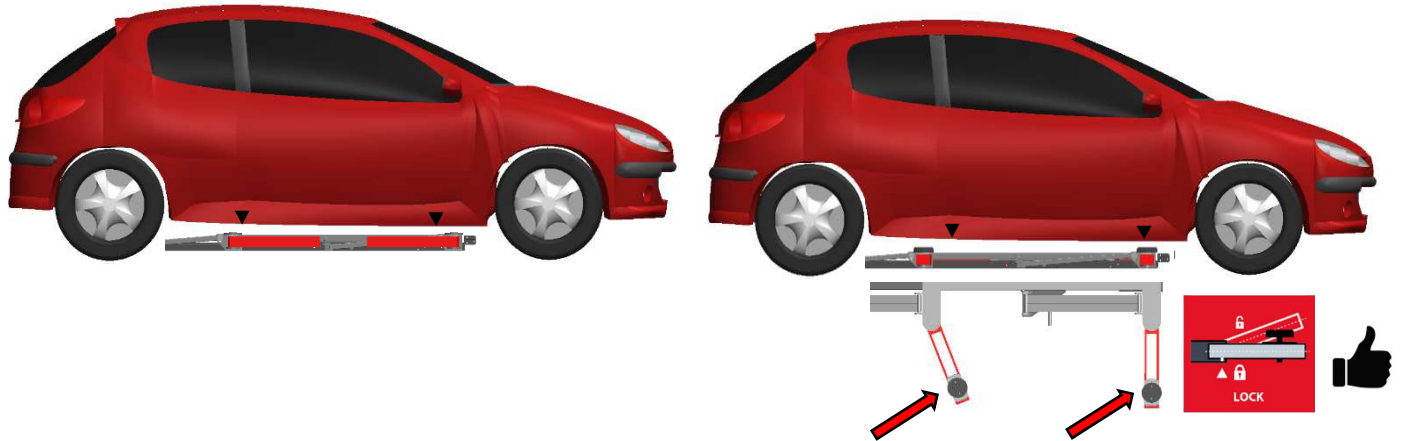
To achieve optimum safety, it is recommended to define an area in which other objects or walls will be at a certain distance (2m minimum). All ascent and descent manoeuvres must be carried out with the best possible attention on the part of the operator. Within the defined area, it is forbidden for people to park when the lift is in motion. In order to guarantee the operator's safety, the control box must be located at a distance that allows an escape route in case of emergency. It must be taken into account that the vehicle will move 30cm towards the front of the lift when going up and down.



Make sure that the vehicle is as centred as possible on the longitudinal axis of the lift.



Then spread the arms completely apart and put the rubber pads on them. Position the skids below the grip points provided by the car manufacturers.



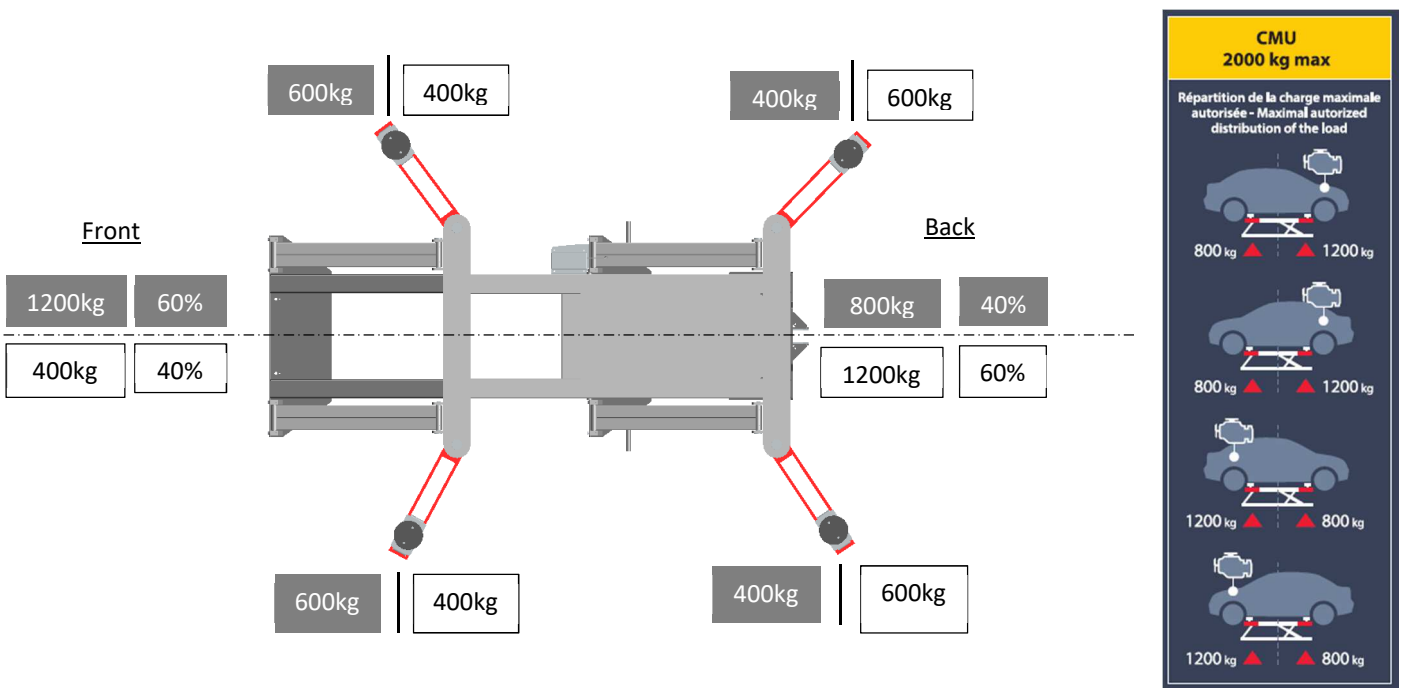
Once the support arm has been correctly positioned, check that it is correctly in place and locked by simply moving it from right to left.

Lift the vehicle a short distance (all 4 wheels should be about 10 to 15 cm off the ground) and check that the skids are correctly positioned and that the vehicle is stable. Once this check has been carried out, lift the vehicle to the desired height and store the remote control.

### Maximum loading principle of the lift :

This self-stable lift has been dimensioned to accept a maximum working load (M.W.L.) of 2000kg as shown in the figures below and regardless of the position of the arms (open angle or fully closed). This means that it is necessary to respect a loading of 60% of the mass on the front of the lift and 40% on the back of the lift and vice versa. It is designed to accept a reversible load.

By respecting the alignment of the lift with the longitudinal axis of the vehicle and by positioning the rubber pads below the gripping points identified by the car manufacturers, you will respect this principle and be able to lift the load safely. This information is to be found on the lift so that the user does not exceed the maximum load depending on the situation (position of the engine in the vehicle according to the direction of the lift).





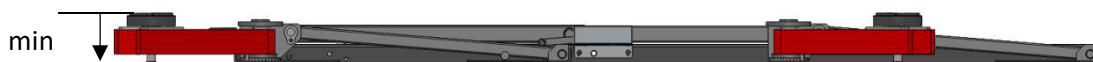
**Before lifting a vehicle, make sure the handbrake is released and the vehicle is left in neutral. The wheels when taking off from the ground need to be free as when descending. Otherwise, there is a risk that the load will slip on the rubber pads and lead to a dangerous and unstable situation. In some cases a displacement of the lift at ground level can be observed.**



## CONTROLS AND MAINTENANCE

Inspections and maintenance work must be carried out by authorised personnel at the maintenance intervals specified in this manual. In order to guarantee a long service life and proper use of the ERGO LIFT, the following points must be observed.

- Switch off the power supply before carrying out any maintenance.
- Only original spare parts must be used " Spare parts " page 18.
- The recommended maintenance intervals must be adhered to "Maintenance table" on page 11 and recorded on pages 22 and 23.
- For maintenance work that is not shown or indicated in the operating instructions, contact your distributor and/or the manufacturer.



**Visually inspect your ERGO LIFT before each use. Do not use it if you detect damage, severe wear or hydraulic leakage.**

**Clean the ERGO LIFT at least once a week to remove all dust and dirt that could degrade the proper functioning of the product in the long term. Use auto cleaning cloths. Do not use any water nor flammable or corrosive liquids.**



**To disconnect the hydraulic quick coupling make sure that the ERGO LIFT is completely lowered and without the wheels. Otherwise there will be a hydraulic leak at the time of disconnection.**

**To intervene on the limit sensor and on the electrical components present on the lift (wiring harness / electrical control of the solenoid valves) raise the lift completely until it reaches the maximum position and then cut off the power supply. Never disconnect the hydraulic hose in the max. position.**

**MAINTENANCE TABLE**

Maintenance intervals	Task	Remarks
<b>Monthly</b>	Check, clean and lubricate all moving parts, especially the joints.	Refer to "Check and Lubrication Point (page 12)".
	Check that the locking system of the 4 load-bearing elements is working properly and that the stops are present.	
	Check the condition of the rubber pads and clean them if necessary.	Replace if necessary (Refer to the exploded view)
	Check the condition of the hydraulic hoses, the cable of the wired remote control and the power supply cable.	
	Check the hydraulic oil level	If necessary, top up the level: Use an oil with a viscosity of 32CST (ref 062160 / canister 5L) page 13.
	Check the structure visually.	
	Carry out an unladen ascent over the full stroke of the lift.  Check that the limit switch is working correctly (double beep when the lift is in the maximum position).	See page 7 for a description of the procedure which describes normal behaviour and page 13 which describes the operation of the limit sensor.
<b>Annual</b>	<b>"Regular security check"</b>	To be carried out by an authorised person and to be completed and signed.
<b>Every 5 years of service</b>	Replace the hydraulic hose in case of heavy use and change the oil.	Replace if you notice a decrease in climb speed. A hose crushed by the passage of car wheels over the course of use may be the cause (Ref. 70887 - hydraulic hose).

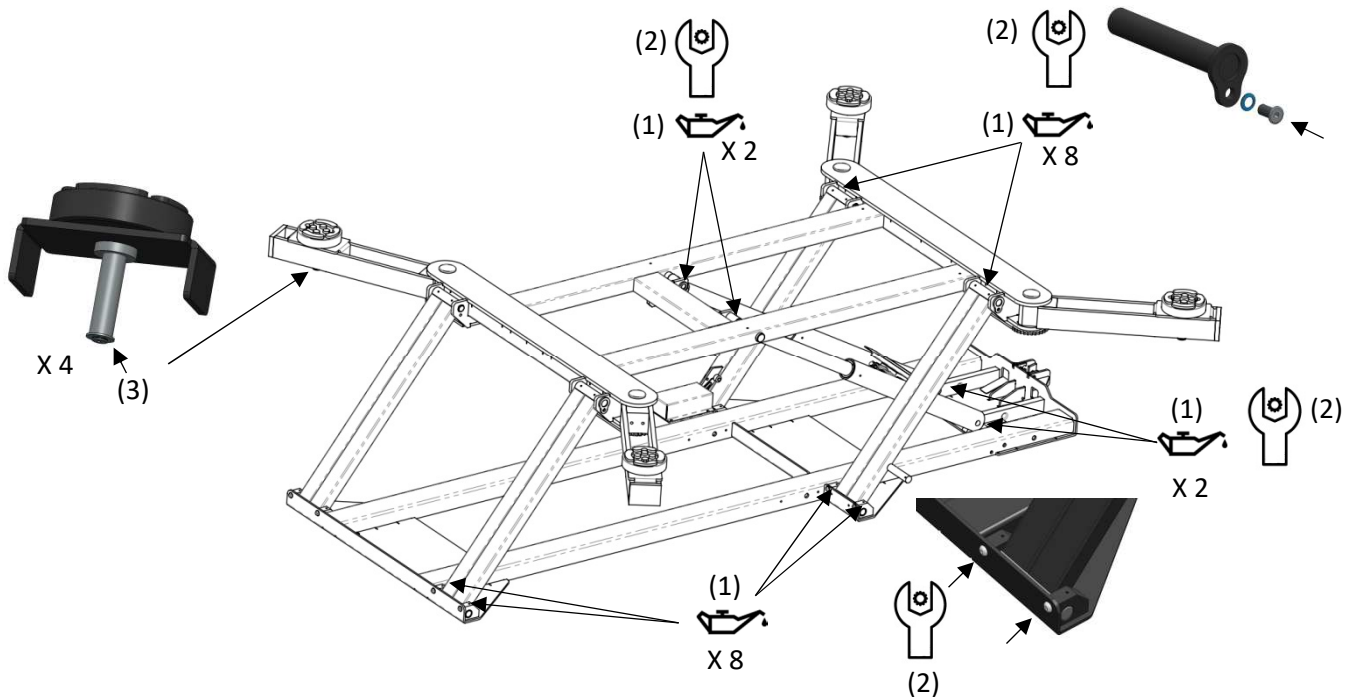
Use the "Regular Security Check" and the "Maintenance Log" forms to archive regular and annual checks.

Carry out a report on the condition of the ERGO LIFT every year and enclose it with the operating instructions.

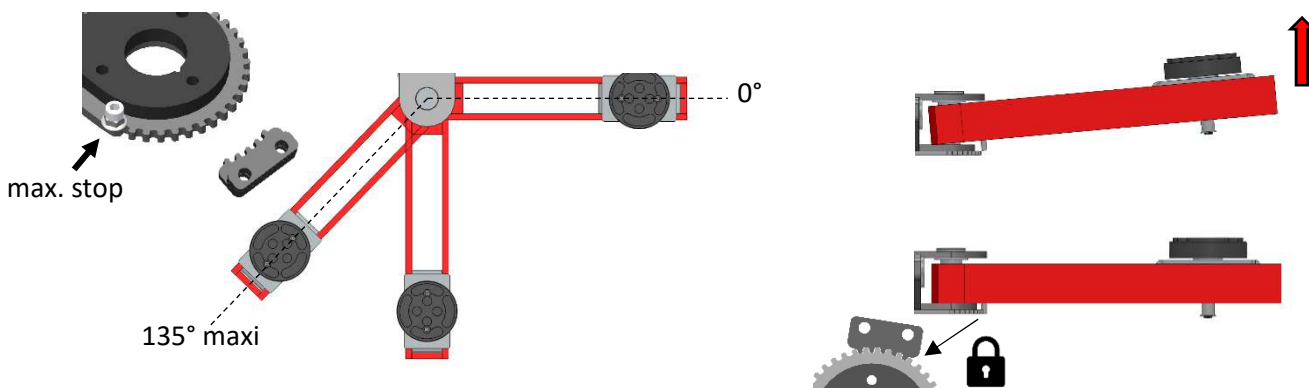
**Regular safety checks must be carried out by an authorised person. It is recommended to perform maintenance at the same time and refer to this manual for troubleshooting.**

**CHECK POINT AND LUBRICATION**

- All joints are provided with small holes for lubrication with SAE 90 type oil (fluid oil). The 20 lubrication points are listed below (1). One drop per hole is enough!
- Check the tightness of the individual screws at the joints. The lock washer must always remain flat (2).
- Check the presence of the stops on the 4 pads that prevent the pad from being completely unscrewed from its support (3).

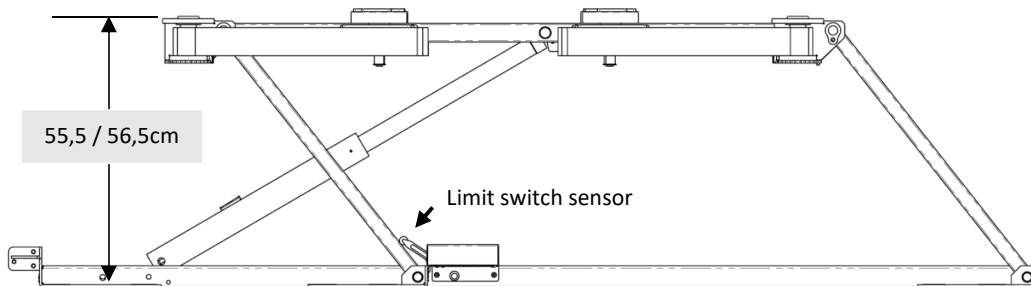


- Test each of the 4 arms and check that they can move over their full range of motion. The arm must not be able to exceed a maximum angle of 135°. If this is not the case, the presence of the stop must be checked. At the same time, check that the arms engage in the locking catches. Otherwise, unscrew the screws of the toothed plate without forcing (the indexing plate may have moved sideways, pre unscrew each screw slightly, then all the screws so as not to damage the threads of the screws and the lift). Reposition the plate so that the notches can pass through and tighten each of the screws to 12N.m. In the event of a problem, contact Customer Service or your dealer to carry out a complete replacement of the indexing system (refer to the exploded view on page 18, replace the screws and lock washers at the same time).



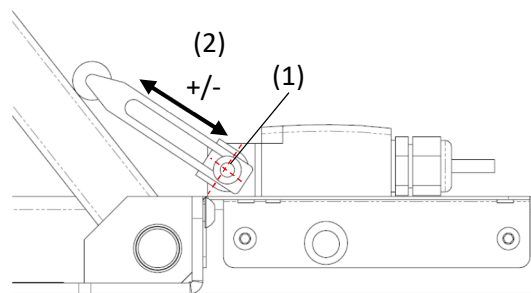
**Functional test of the limit sensor:**

- Press the "Up" or "↑" button until a double beep is heard and the lift stops automatically.



The distance from the ground to the crossbar should be between 55.5cm and 56.5cm. If the reached height is lower or higher, an adjustment of the sensor rod must be carried out. If you find that the motor does not stop automatically when the lift no longer rises, the sensor rod must be adjusted as well. After adjustment, check that the table is within the tolerances shown in the diagram above. If you still cannot find the right position, check the connections or the status of the sensor cable from the sensor to the control board. When working on the electrical circuit, always unplug the power cord and switch off the hydraulic unit.

By adjusting the length of the rod you will be able to find the right setting.



- 1- Slightly loosen the screw (1).
- 2- Adjust the rod +/- (2)
- 3- Tighten the screw (1)
- 4- Check the height:  $55.5 < H < 56.5$

Limit switch adjustment

**Checking the oil level:**

**The ERGO LIFT is supplied with sufficient oil, there is no need to add oil during start-up.**

The tank can hold 4L of oil. A dipstick is used to check that the oil level is sufficient. Simply check that the level is higher than the indicator on the cap (minimum level) and do not exceed this level by more than 1cm to 2cm. Use chemical-resistant nitrile rubber protective gloves and goggles when leveling the oil.

Unless the oil is used very intensively and there is a colour change in the oil, there is no indication to replace the oil every year. We recommend replacing the oil every 5 years at the same time as the hose.

Use high performance hydraulic oil with a viscosity of 32CST (reference 062160 / type IKV-TRIBOLINE HLQ HM-32).



Flat table

Drain plug

ok

**TROUBLESHOOTING**

The table below shows the anomalies that can be observed when using the ERGO LIFT. If the problem is not listed in the table below, stop using the tool and immediately contact your dealer or the manufacturer for instructions. Take the product out of service (follow the procedure for taking out of service on page 15).

TROUBLESHOOTING	CAUSES	Solutions
<p>The lift does not move up and down with the power cord plugged in and the button set to "ON".</p>	<p><b>The "ON" button is lit orange.</b> The red emergency stop button on the remote control is pressed.</p>	<p>Reset the button by doing a ¼ turn.</p>
	<p><b>The "ON" button is lit orange.</b> Break in the wiring between the remote control and the electronic control board.</p>	<p>Check that when you press the "down" or "↓" button, the indicator lights on the solenoid valves come on (light = coil active). Refer to the wiring diagram to identify the wiring problem.</p>
	<p><b>The "ON" button is off</b> Check the condition of the fuse below the ON/OFF button.</p>	<p>Unplug the power cord. Replace the fuse with a 5A 250V fuse if it is out of order.</p>
<p>Lift goes up or down incorrectly (in jerks)</p>	<p>There must be air in the hydraulic system.</p>	<p>The circuit must be purged by going up and down until the phenomenon disappears. If it persists, contact after-sales service.</p>
<p>The lift does not go up and yet the hydraulic unit works.</p>	<p>The load is too heavy for the lift.  Check that the vehicle still has its wheels if you return the lift to the ground.</p>	<p>Check the weight of the vehicle, which must not exceed the characteristics listed in the technical table (&lt; 2T).  Contact the after-sales service.</p>
<p>The lift emits a sound to identify 3 types of situations:</p>	<p>At the end of the stroke, a double beep indicates that the sensor is in the maximum position (switch open).</p> <p>When you hear a triple beep it means that you have pressed the "up" or "down" button on the remote control for too long. An automatic stop of the group is carried out after 1 minute on the way up and 1 minute 30 on the way down.</p> <p>When the "down" button is pressed a pause time of 2 seconds is taken and then throughout the descent an</p>	<p>This indicates that the limit sensor is working properly. If the sensor malfunctions or a shock close to the area may cause the sensor to be out of adjustment, in which case refer to the limit sensor adjustment procedure on page 13.</p> <p>Check that there is enough oil in the tank if the product comes up.</p> <p>Lubricate all joints.</p> <p>If the problem persists, please contact the after-sales service (hydraulic pump to be replaced).</p>

	audible warning must be heard to indicate that the lift is descending.	
The lift descends very slowly without using the remote control.	Both coils are activated	Each solenoid valve is equipped with manual activation in the event of a power failure. Check that the red or yellow screw of each solenoid valve is in the down position (up position = solenoid valve open in both directions / down position = normal operation).  If the problem persists, contact your after-sales service.

### DEACTIVATION

Any machine that appears to be damaged in any way (broken, bent, cracked or damaged parts), that does not function normally, or that is missing parts must be taken out of service immediately by removing the power cord from the socket and then removing the fuse that is in the fuse holder at the hydraulic unit.

### START-UP

The ERGO LIFT must be disposed of in accordance with the current environmental and disposal guidelines of the country in which it is located.

### WARRANTY CONDITIONS

The warranty covers any defect or manufacturing defect for 2 years from the date of purchase (parts and labor). - The warranty does not cover incidents due to misuse, fall, disassembly or other damage due to transportation. The warranty does not cover normal wear and tear of parts if maintenance is not kept up to date. Only spare parts from the manufacturer may be used to repair the ERGO LIFT.

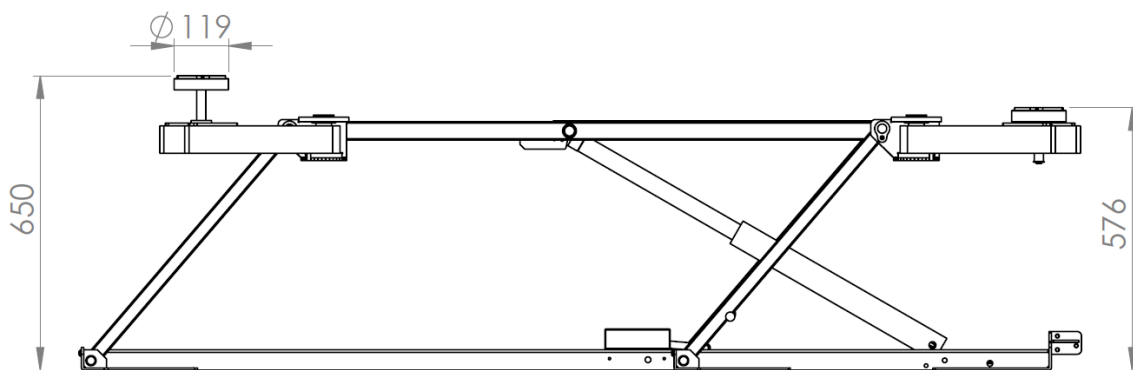
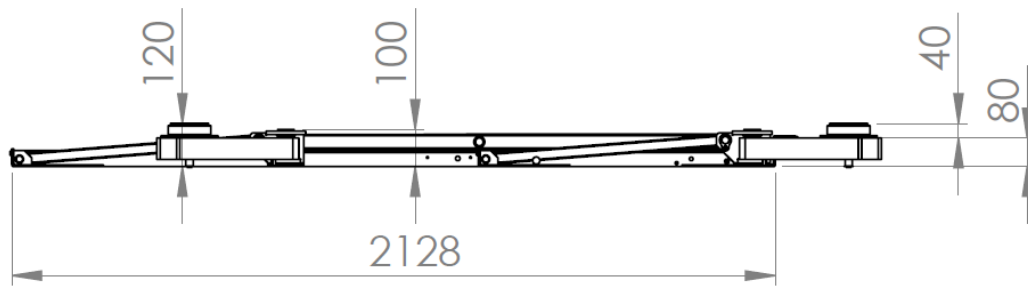
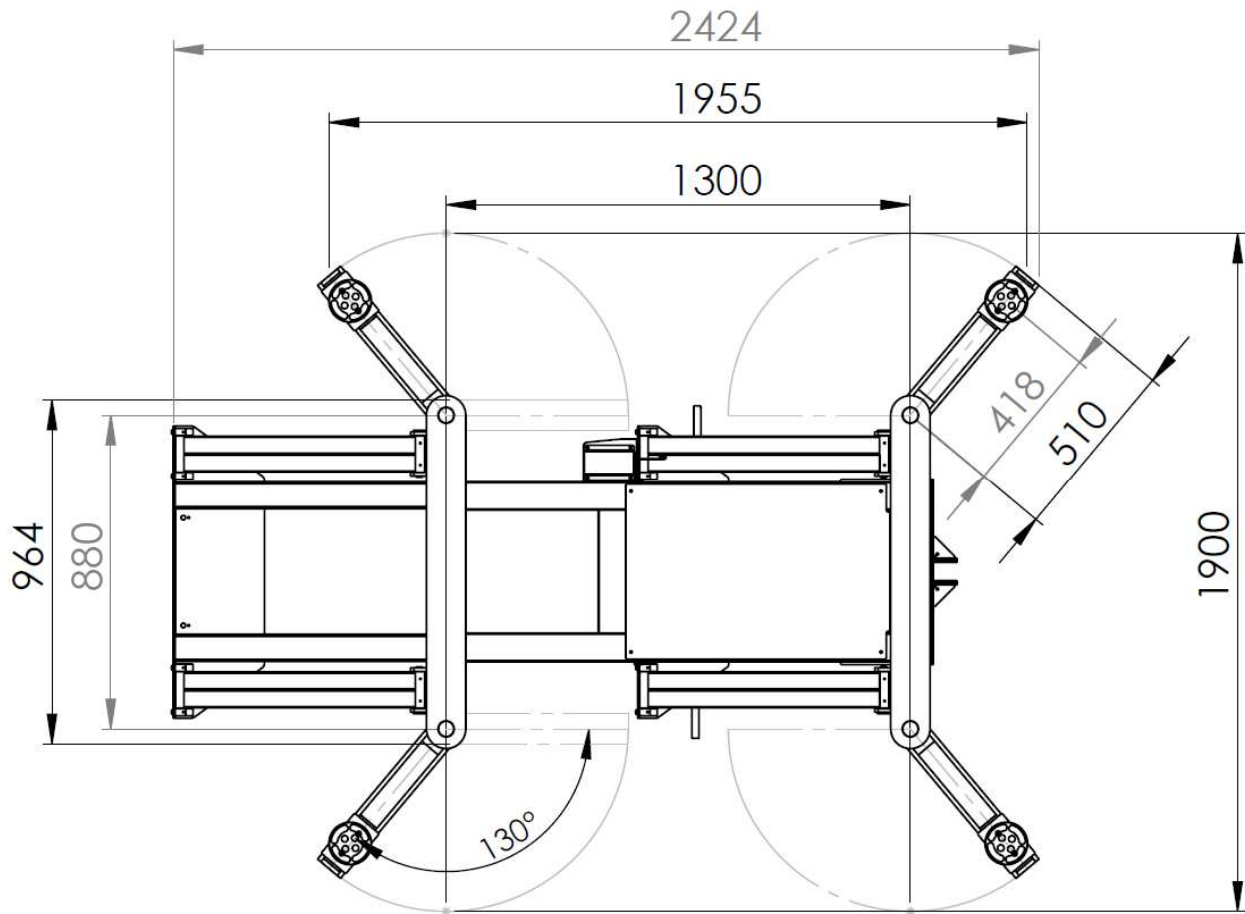
The limit load characteristics are indicated on the lift. The user must not remove, dirty or deface these labels. The guarantee will be automatically terminated in case of falsification of this label. Contact the retailer or manufacturer to get new ones if needed.

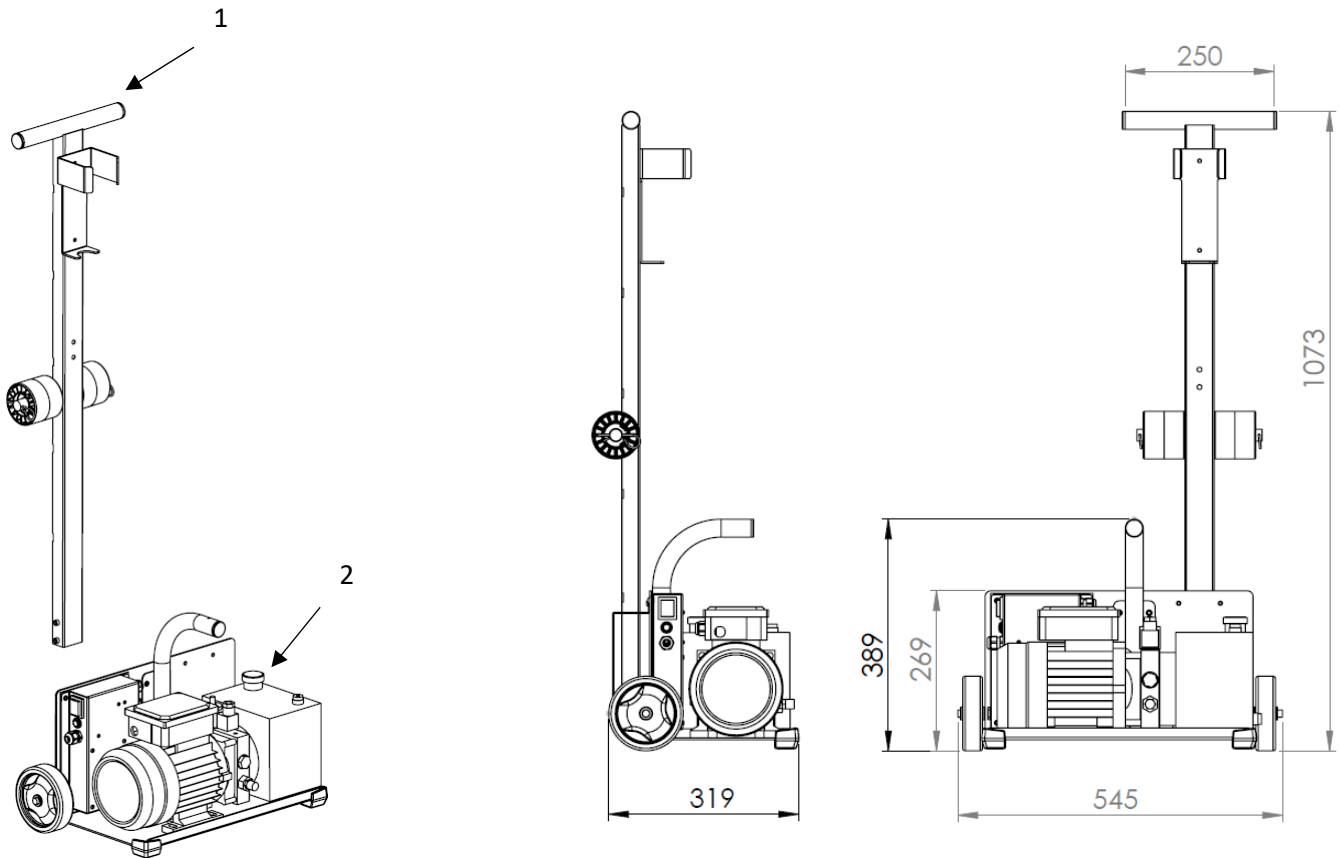
In the event of a malfunction, return the unit to your dealer, enclosing:

- A dated proof of purchase (receipt, invoice, etc.),
- A note explaining the malfunction,
- Copy of the "regular safety checks" if the product is more than one year old.



**DIMENSIONS**





1	Manoeuvring drawbar
2	Hydraulic power pack

## FEATURES

Maximum allowed load	2,000 kg
Type of vehicle allowed	Tourism vehicle
Electrical installation	230V AC1 ~ 50Hz
Power	0,75Kw
Oil tank capacity	4L
Noise level	<70 dB (A)
Rising time	Approx. 45 sec. with maximum load
Protection rating	IP 54
Empty weight of the lift (without packaging)	247 kg
Empty weight of the lift (without packaging)	282 kg
Product size with packaging	L= 226cm W=108cm H=69cm

**NAMEPLATE**

The technical nameplate is located on the rear of the hydraulic unit where you will find the serial number of the product, the year and month of manufacture. The tracking number can also be found in duplicate on the lift and in this manual on page 1. If one of the labels is damaged, please contact your distributor or the after-sales service department to have a new one made.

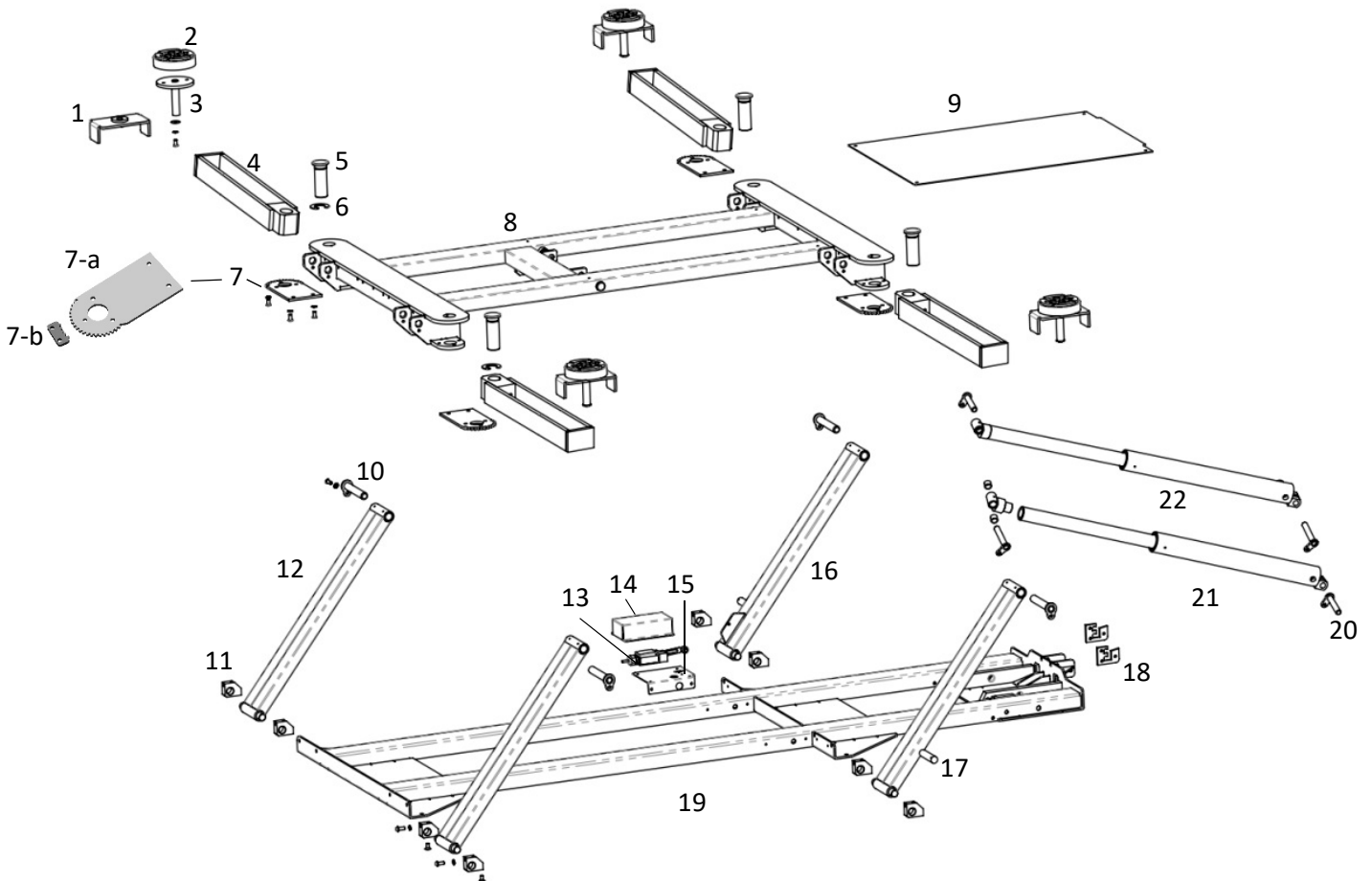


**Serial number: 20.07.056817.000001**

**Year of manufacture: 20 (2020)**

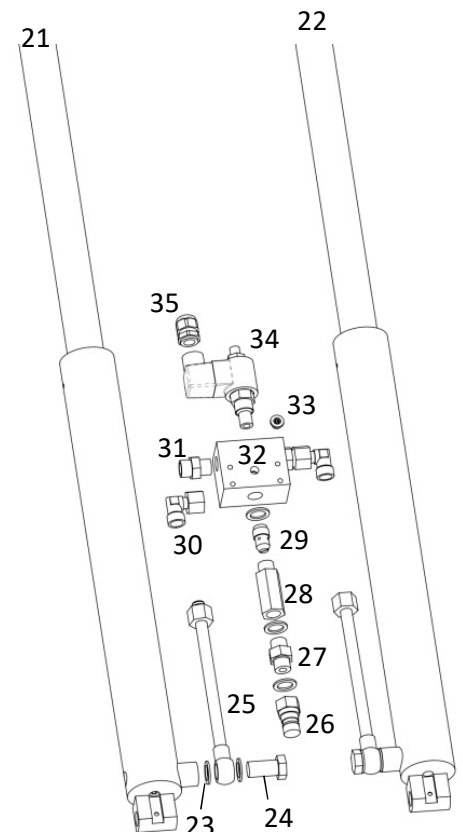
**Month of manufacture: 07 (July)**

**Part number: 056817**

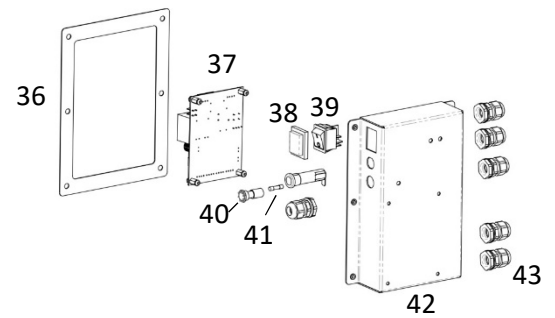
**SPARE PARTS**


N°	Ref.	Designation
1	93607ST	Phosphated skate support
2	55239	Round rubber pad 119 x 31
3	93610ST	Original phosphate-plated lifting table shoe
4	93613RI	Lift table arm Red 3020
5	93792ST	Phosphated lifting table arm axis
6	43267	Axis brake for tumbler Ø30 raw steel din 6799
7-a	93832ST	Phosphated arm indexing plate
7-b	K0139ST	Ergolift phosphated indexing notches
8	93796GF	Upper frame lifting table Grey 7021
9	93572GF	Lift table top frame housing Grey 7021
10	93562ST	Phosphated Bati Sup Axis
11	93793ST	Pivot bielle table élévatrice phosaphaté
12	93777GF	Front connecting rod lifting table Grey 7021
13	71961	Adjustable roller lever limit switch 1NO/1NC 10A 400V 0.1N
14	93594GF	Lift table sensor housing Grey 7021
15	93592GF	Lift table sensor housing Grey 7021
16	93784GF	Connecting rod ARD lifting table Grey 7021
17	93782GF	Connecting rod ARG lifting table Grey 7021
18	93795ST	Phosphated lifting table tiller guide plate
19	93791GF	Lower frame lifting table Grey 7021
20	93564ST	Baked Phosphated Cylinder Axis
21	70888	Single-acting cylinder left
22	70889	Straight single-acting cylinder

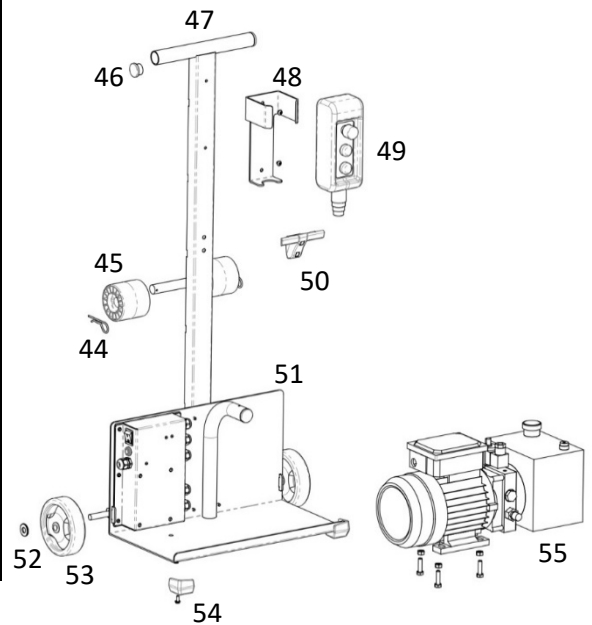
N°	Ref.	Designation
23	71095-3	BS 3/8 clip
24	71095-2	Hollow banjo screw 3/8 gas
25	71982 +71983 + 71984	Banjo GAS welded with tube 06-3/8 x 12L=200mm + Nut DN 12 banjo pipe - EC 12L + Clips DN 12 bango pipe - BA 12L/S
26	71560	Coupling ISO A - M3/8 BSP
27	71637	Union Male BSP 3/8-Male BSP 3/8
28	71402	Union male/female 3/8 GAS L=48mm
29	55104	compensated flow limiter 3L/min
30	71981	Male/female elbow - CMF 12L NE
31	71980	Union male 3/8 CYL - UMCY 12L3/8 JENE
32	93794	Alu block solenoid valve lifting table
33	51842	Male plug stainless steel G1/8 hexagon socket + mounting gasket NBR 90SH
34	70992	2-way solenoid valve 220V AC fem/Fem UNF 3/4- 16
35	71165	Cable Gland Black PG11 5-10mm UL without nut



N°	Ref.	Designation
36	55297	Nitrile gasket 1mm thick
37	E0011C	Lift table circuit (E0011A / 65175ind1)
38	52463	Protective cover for Button 22 x 30
39	52460	Orange illuminated switch 230V - Box 22/30 - Marking O-I
40	51387	Fuse holder
41	51401	Fuse T5A - 250VAC - 6.3x32
42	92213GF	Electronic board case Grey 7021
43	71165	Cable gland PG11



N°	Ref.	Designation
44	43255	Pin beta 3x56 zn white
45	56209	Wheel D=80mm L=70mm axis 20mm
46	43101	Closure plug Dint=28 Dext=30 Pe black
47	96167GF	Lift table drawbar Grey 7021
48	92210GF	Lift table sensor housing Grey 7021
49	70886	2-button remote control and emergency stop
50	72053	Cable support assembly
51	92215	Support plate for hydraulic power pack lifting table Grey 7021
52	71380	Wheel fixing washer diameter=12
53	71370	Wheel Diameter=125mm Axis=12mm Width=35mm caps black
54	56061	Gys 1-Angle 1-Point Shoe (40x40x30 TPE/TPR 80sh)
55	71814	Complete hydraulic unit



## PRODUCT INFORMATION

Ref. 75716

Ref. 75716

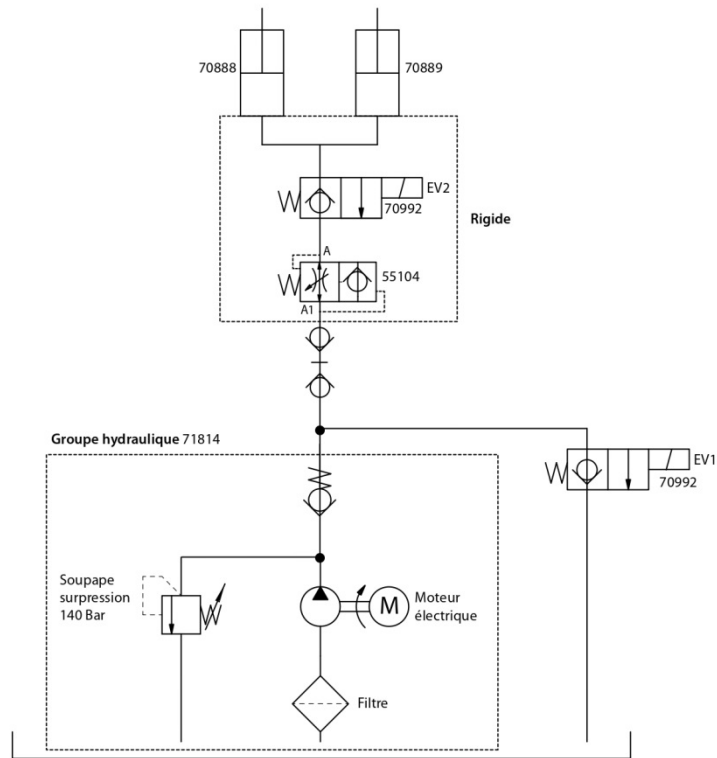
Ref. 75714

Ref. 75715

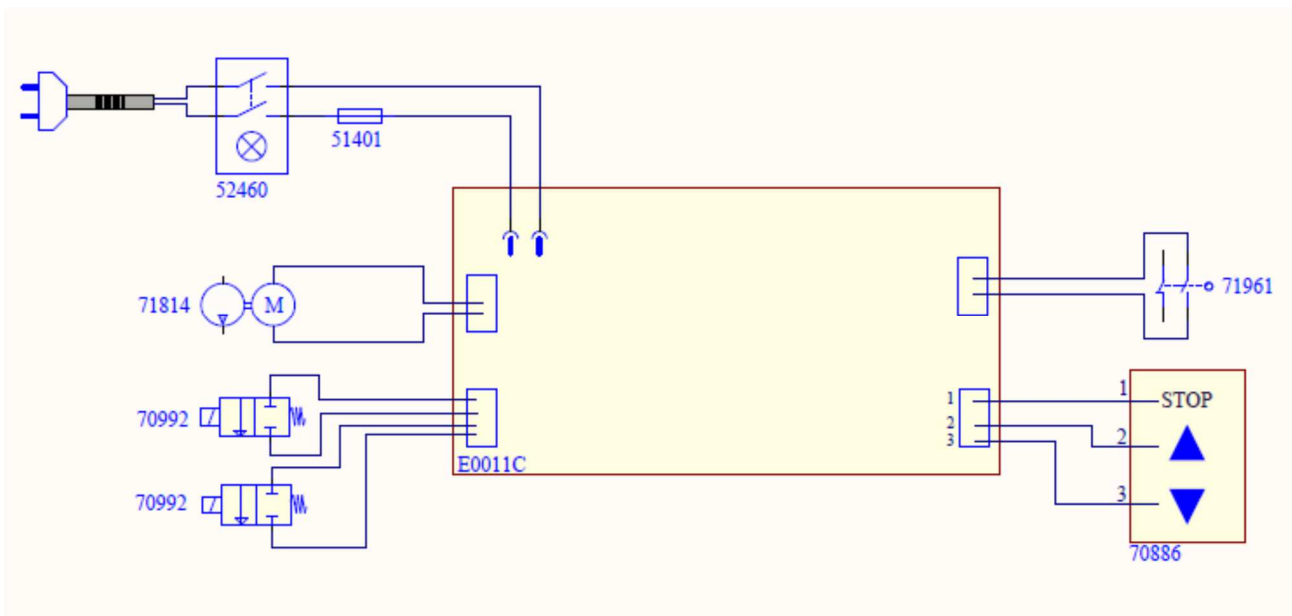
<b>GYS SAS</b> 1, rue de la Croix des Landes - CS 54159 53941 Saint-Berthevin Cedex - France	
<b>ERGO LIFT 650</b>	
Poids / Weight	32 kg
230 V AC 1-50 Hz / 750 W	
140 bar max	
IP 54	



## Hydraulic circuit



## Electric circuit



**REGULAR SAFETY INSPECTION**

Description of the product	ERGO LIFT 650
<b>Serial number</b>	

Verification phase	OK	NOT OK	Remarks
Presence of the technical panel on the hydraulic unit with the serial number of the lift			
Presence of the maximum load of 2000kg on the lift with the serial number.			
Up and down signalling by an arrow on the remote control			
Presence of the operating instructions (original)			
Tightening of nuts on all axes			
Condition of hydraulic hoses and couplings			
Status of the wired remote control and its power cord			
The buttons on the wired remote control return to the initial position automatically and charging stops.			
The emergency stop button is functional.			
Condition of the load-bearing construction (mechanical structure)			
Functioning of the locking notches of the 4 supporting elements and presence of the angular stops and locking of the runners in their supports.			
Condition of the cylinders (leaks, rust...)			
Condition of the rubber pads			
Condition of the power cord of the hydraulic power pack			
General condition of the hydraulic unit			
Double beep when the lift reaches its maximum position.			
Each time the descent button is pressed, a beep will sound for 2 seconds before the table is lowered and an audible signal will be emitted throughout the descent.			
Functional test of the lifting platform with vehicle (ideally with a weight close to 2T)			

Control result	
	Commissioning is not allowed
	No anomalies: commissioning granted

Security check carried out on: .....

Name and address of the authorised person: .....

Signature of the authorised person

**MAINTENANCE LOG**

Purchase date: \_\_\_\_\_ started by: \_\_\_\_\_ on the \_\_\_\_ / \_\_\_\_ /20 \_\_\_\_

Archiving of monthly and annual checks: tick the boxes to certify periodic checks.

Year _____												
Months	January	February	March	April	May	June	July	August	September	October	November	December
Controlled												
Year _____												
Months	January	February	March	April	May	June	July	August	September	October	November	December
Controlled												
Year _____												
Months	January	February	March	April	May	June	July	August	September	October	November	December
Controlled												
Year _____												
Months	January	February	March	April	May	June	July	August	September	October	November	December
Controlled												
Year _____												
Months	January	February	March	April	May	June	July	August	September	October	November	December
Controlled												
Year _____												
Months	January	February	March	April	May	June	July	August	September	October	November	December
Controlled												
Year _____												
Months	January	February	March	April	May	June	July	August	September	October	November	December
Controlled												
Year _____												
Months	January	February	March	April	May	June	July	August	September	October	November	December
Controlled												

**ICONS**

	- Warning ! Read the instructions manual before use.
	- Machine compliant with European directives The compliance declaration is available on our website.
	- This hardware is subject to waste collection according to the European directives 2002/96/UE. Do not throw out in a domestic bin !
<b>IP 54</b>	Protects against the intrusion of dust and water splashes from all directions.
<b>CMU 2000Kg</b>	-The maximum working load (MWL) is 2000kg.
	-Do not mount on this element.

**GYS SAS**

1, rue de la Croix des Landes

CS 54159

53941 SAINT-BERTHEVIN

Cedex France